

## Applications

- ◆ USB 2.0 Power and Data Line Protection
- ◆ Video Graphics Cards
- ◆ Monitors and Flat Panel Displays
- ◆ Digit Video Interface (DVI)
- ◆ 10/100/1000 Ethernet
- ◆ Notebook Computers
- ◆ SIM Ports
- ◆ ATM Interfaces

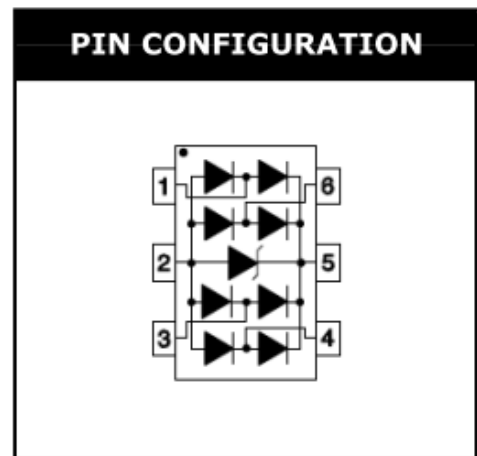


## IEC Compatibility

- ◆ IEC61000-4-2 (ESD) ±17kV (air), ±8kV (contact)
- ◆ IEC61000-4-4 (EFT) 40A (5/50ns)
- ◆ IEC61000-4-5 (Lightning) 3.5A (8/20µs)

## Features

- ◆ Protects four high-speed data lines and one power line
- ◆ Low clamping voltage (Vc)
- ◆ Working voltages : 5V
- ◆ Low leakage current



## Mechanical Characteristics

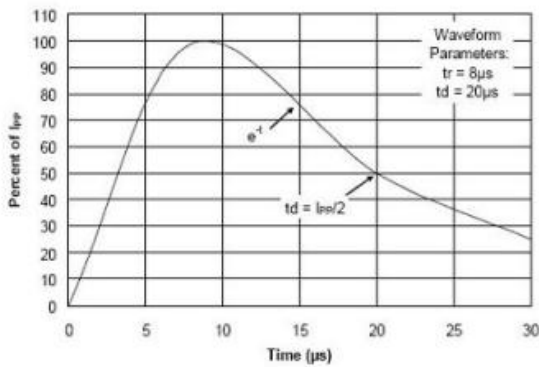
- ◆ JEDEC SOT23-6 Package
- ◆ Molding Compound Flammability Rating : UL 94V-O
- ◆ Weight 16 Milligrams (Approximate)
- ◆ Quantity Per Reel : 3,000pcs (MPQ:30Kpcs)
- ◆ Reel Size : 7 inch
- ◆ Lead Finish : Lead Free

## Device Characteristics

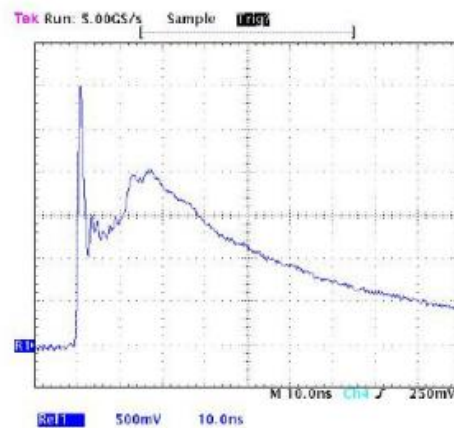
MAXIMUM RATINGS (@ 25°C Unless Otherwise Specified)			
PARAMETER	SYMBOL	VALUE	UNITS
Peak Pulse Power (tp=8/20µs waveform)	P <sub>PP</sub>	350	Watts
Lead Soldering Temperature	T <sub>L</sub>	260 (10 sec.)	°C
Operating Temperature Range	T <sub>J</sub>	-55 ~ 150	°C
Storage Temperature Range	T <sub>STG</sub>	-55 ~ 150	°C

ELECTRICAL CHARACTERISTICS PER LINE (@ 25°C Unless Otherwise Specified)							
PART NUMBER	V <sub>RWM</sub> (V) (max.)	V <sub>B</sub> (V) (min.)	I <sub>T</sub> (mA)	V <sub>C</sub> @1A (max.)	V <sub>C</sub> (max.) (@A)	I <sub>R</sub> (µA) (max.)	C <sub>T</sub> (pF) (typ.)
ECSR05-04	5.0	6.0	1	12.5	25.0	3.5	1.2

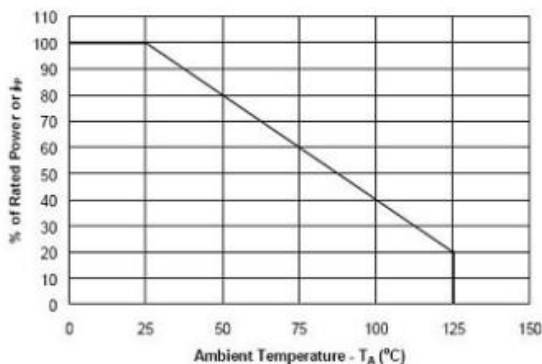
**Pulse Waveform**



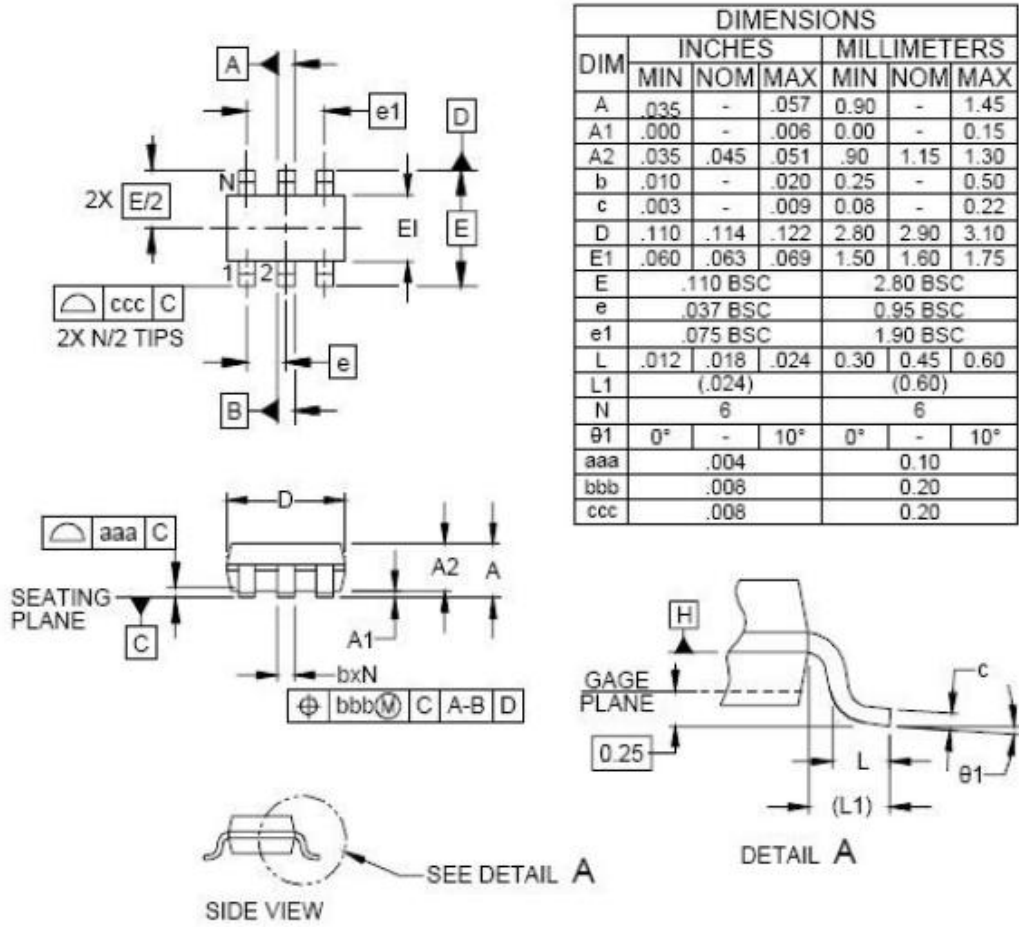
**ESD Pulse Waveform (Per IEC 61000-4-2)**



**Power Derating Curve**



SOT23-6 Package Outline & Dimensions



SOLDERING FOOTPRINT

