

Applications

- ◆ Cell Phone Handsets and Accessories
- ◆ Microprocessor based equipment
- ◆ Personal Digital Assistants (PDA's)
- ◆ Notebooks, Desktops, and Servers
- ◆ Portable Instrumentation
- ◆ Peripherals
- ◆ Pagers

IEC Compatibility

- ◆ IEC61000-4-2 (ESD) $\pm 30\text{kV}$ (air), $\pm 30\text{kV}$ (contact)
- ◆ IEC61000-4-4 (EFT) 40A (5/50ns)

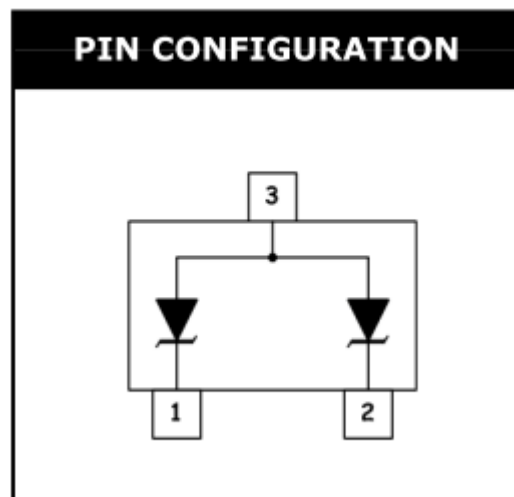
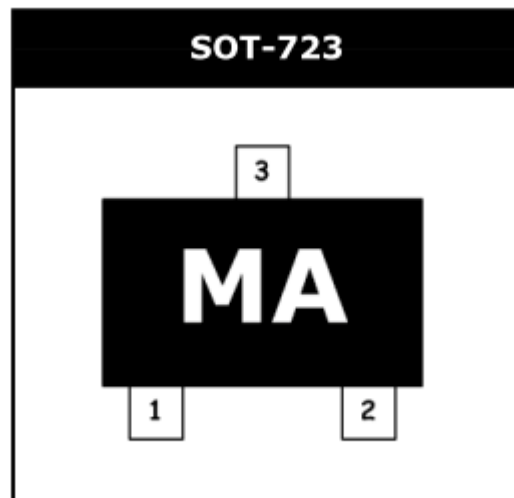
Features

- ◆ 60 Watts Peak Pulse Power per Line ($t_p=8/20\mu\text{s}$)
- ◆ Protects two unidirectional I/O lines
- ◆ Low clamping voltage
- ◆ Working voltages : 5.0 V
- ◆ Low leakage current

Mechanical Characteristics

- ◆ SOT-723 Package
- ◆ Molding Compound Flammability Rating : UL 94V-O
- ◆ Weight 1.30 Milligrams (Approximate)
- ◆ Quantity Per Reel : 8,000pcs
- ◆ Reel Size : 7 inch
- ◆ Lead Finish : Lead Free

Pin Configuration

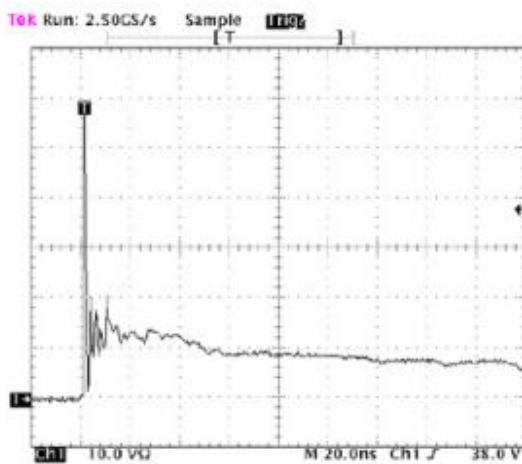


Device Characteristics

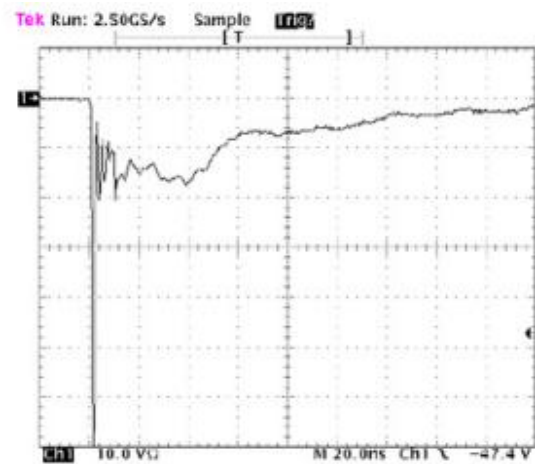
MAXIMUM RATINGS (@ 25°C Unless Otherwise Specified)			
PARAMETER	SYMBOL	VALUE	UNITS
Peak Pulse Power (tp=8/20µs waveform)	P _{PP}	60	Watts
Lead Soldering Temperature	T _L	260 (10 sec.)	°C
Operating Temperature Range	T _J	-55 ~ 150	°C
Storage Temperature Range	T _{STG}	-55 ~ 150	°C

ELECTRICAL CHARACTERISTICS PER LINE (@ 25°C Unless Otherwise Specified)								
PART NUMBER	DEVICE MARKING	V _{RWM} (V) (max.)	V _B (V) (min.) (max.)	I _T (mA)	V _C @1A (max.)	V _C @3A (max.)	I _R (µA) (max.)	C _T (pF) (typ.)
ECCP05VU3-D7	MA	5	6.32 7.08	1	9.8	20	1	22

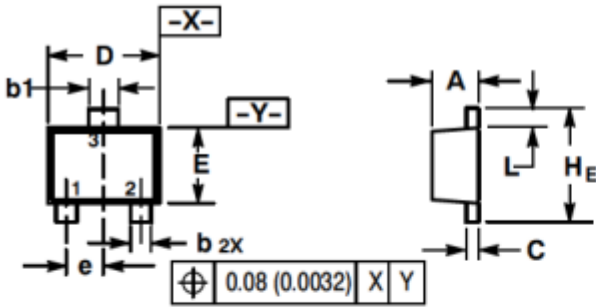
ESD Clamping Voltage screenshot
(8kV Contact Per IEC 61000-4-2)



ESD Clamping Voltage screenshot
(-8kV Contact Per IEC 61000-4-2)



SOT723 Package Outline & Dimensions



DIM	MILLIMETERS			INCHES		
	MIN	NOM	MAX	MIN	NOM	MAX
A	0.45	0.50	0.55	0.018	0.020	0.022
b	0.15	0.21	0.27	0.0059	0.0083	0.0106
b1	0.25	0.31	0.37	0.010	0.012	0.015
C	0.07	0.12	0.17	0.0028	0.0047	0.0067
D	1.15	1.20	1.25	0.045	0.047	0.049
E	0.75	0.80	0.85	0.03	0.032	0.034
e	0.40 BSC			0.016 BSC		
H E	1.15	1.20	1.25	0.045	0.047	0.049
L	0.15	0.20	0.25	0.0059	0.0079	0.0098

*** SOLDERING FOOTPRINT**

